

Thank you for selecting the Rimage Allegro 20 disc publishing system.

Before you begin:

This document describes how to set up your Rimage Allegro™ 20 disc publishing system. It is intended for people who are familiar with hardware setup, software installation, and Windows operating systems. If you do not understand the procedures in this document, ask your computer technician for help.

Documents referenced in this procedure shipped with your system and are also available online at www.rimage.com/support under **Autoloader & Printer Support**.

Important!

- Read all setup instructions thoroughly before you begin.
- Save all packing boxes and packing materials.
- Refer to the *PC Specifications* document at www.rimage.com/support for minimum PC requirements.
- Do not plug in any cables until you are instructed to do so.

Notes:

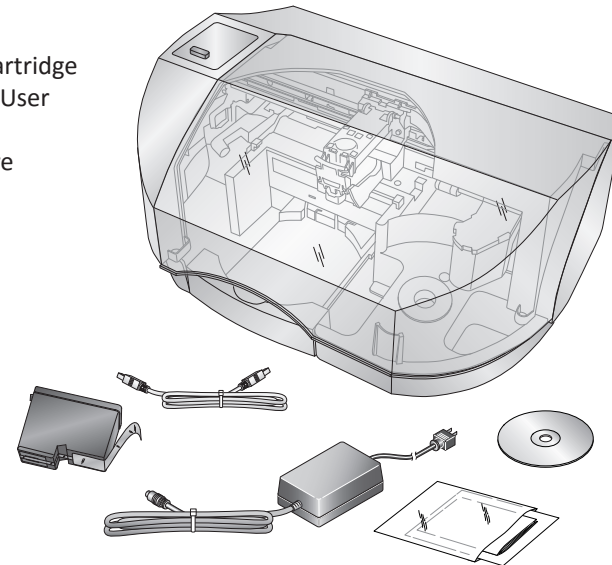
- Your system may not look exactly like the system pictured.
- You must have administrative privileges to install the Rimage Software Suite.

1 Unpack the accessory kit

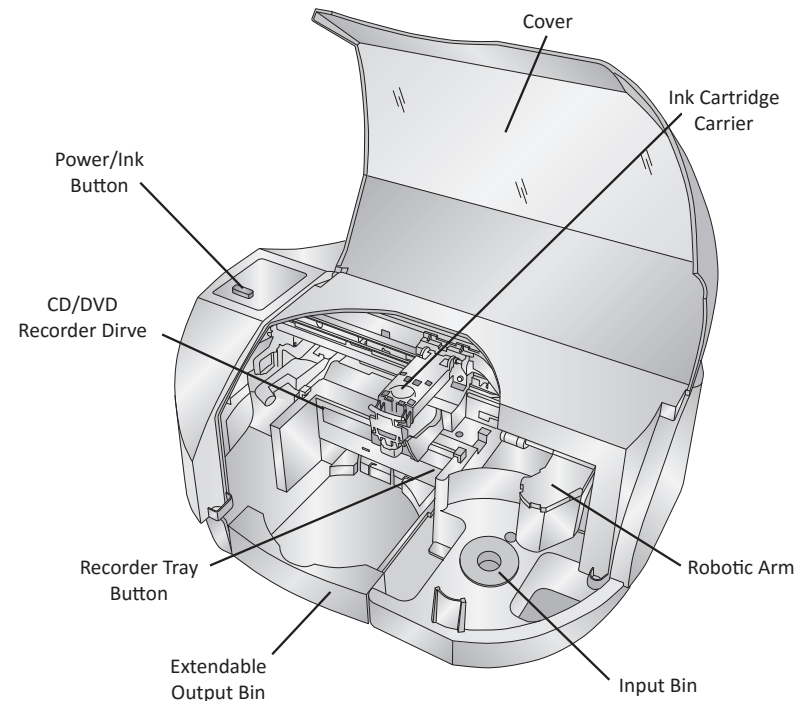
As you unpack your system, remove any tape or cardboard restraints from the system. The accessory kit contains:

- *Allegro Setup and Installation Guide* (this document)
- *Rimage Product Warranty/ Guarantee*
- A/C cord
- USB cable
- All-in-one ink cartridge
- Rimage Allegro User Guide disc
- Rimage Software Suite disc

Note: Your Allegro system may come with an extra **power cord**. Please use the correct **power cord** for your region.

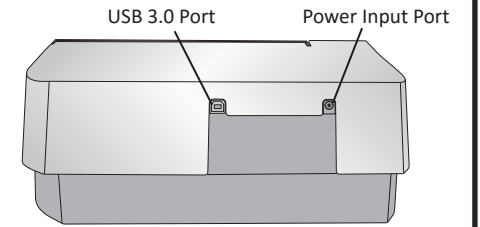


2 Get to know your Rimage Allegro 20



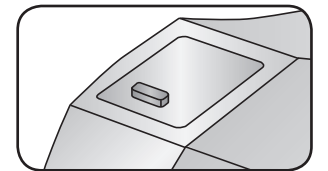
3 Connect the power cable and power on the system

- Connect the **power cord** to the **power input port** on the back of the Allegro 20.
- Plug the other end of the **power cord** into an electrical outlet.



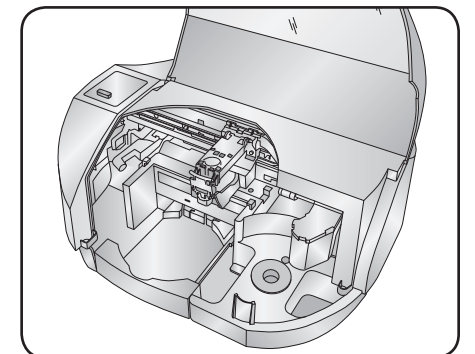
Important!

- Do not connect the USB cable at this time.
 - The outlet must be an earth-grounded outlet.
- Press the **power/ink button** on the top of the Rimage Allegro 20 system. The power indicator light illuminates solid blue.
 - Power on the **external PC** that will send content to the Allegro 20 for output.

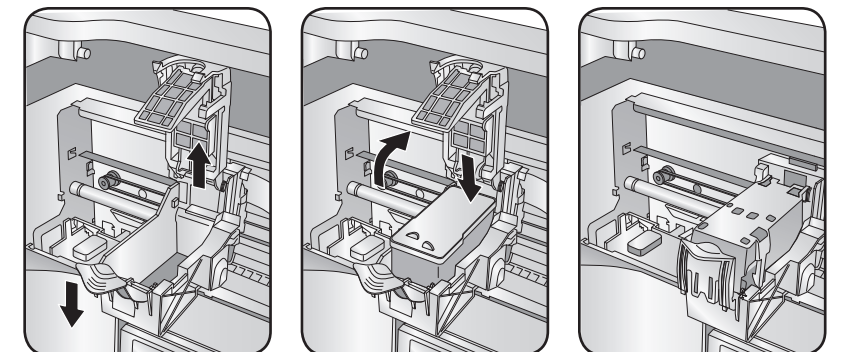


4 Install the all-in-one ink cartridge

- Lift the printer **cover**.
- Push the **power/ink button**. The ink cartridge cradle moves from the left to the center of the printer.



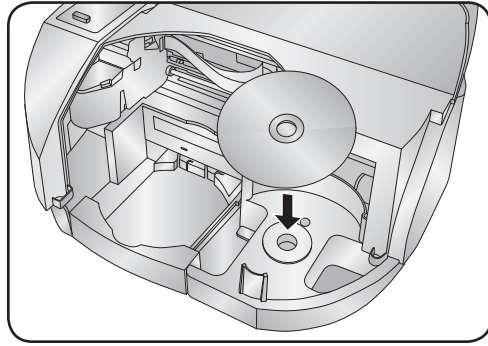
- When the ink cartridge cradle is stationary, lift the **cartridge latch** (see below).
- Slide the **all-in-one ink cartridge** into the cradle as shown.
- Close the **cartridge latch**.



- Close the printer **cover**. The Allegro 20 system initializes.

5 Load discs in the system

The **input bin** holds up to 20 discs. Use only recordable discs that are coated with an inkjet printable surface. Place the **discs** in the **input bin** so that the recording side of the discs is facing down; the print surface will be facing up.



6 Install the software and plug in the USB cable

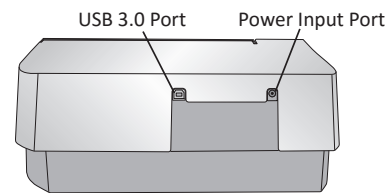
Important! Do not plug in the USB cable until instructed to do so.

Note: You must have administrative privileges to install the software on the external PC.

- a. Place the **Rimage Software Suite disc** into the disc drive of the connected external PC. The **Choose Setup Language** dialog box opens. (The default is English).

Tip: If the software installation does not start automatically, browse to the **setup.exe** file on the **Rimage Software Suite disc**.

- b. Follow the on-screen prompts to continue the software installation.
- c. When prompted, connect the **USB cable**.
 - i. Connect the **USB cable** to the back of the Allegro 20.
 - ii. Connect the other end of the **USB cable** to the external PC.



Note: For optimum performance, connect the Allegro 20 USB cable to a USB port on your motherboard rather than to a USB card port.

- d. Continue to follow the on-screen prompts to complete installation. Once installation is complete, you may be prompted to reboot your PC.

Note: After the software starts, the Allegro 20 system begins the initialization process. Initialization may take up to 5 minutes. During the initialization process, the lift arm moves to the recorder and the printer. When the lift arm assembly stops moving, initialization is complete and your system is ready to process jobs.

7 Answer setup prompts

Your PC may prompt you for alignment and calibration. Follow the prompts on the screen.

8 Test and verify

Use QuickDisc™ to run a 3-disc test job to verify that the Allegro 20 system is operating correctly.

Note: You can now use Rimage WebRSM™ to adjust the system settings.

9 Learn more

- These documents are available on the **Rimage Allegro User Guide disc** that shipped with your Allegro 20 system:

- *Rimage Allegro 20 User Guide*
- *Rimage Product Warranty*

Access these documents by placing the **User Guide disc** in the disc drive of a PC.

Note: If the User Guide menu does not display automatically, browse to the **Home.htm** file on the **User Guide disc**.

- Please refer to www.rimage.com for the most current versions of all documents.
- For information about operating and maintaining the Allegro 20 system, refer to the *Rimage Allegro 20 User Guide*.
- For additional support and product information, go to www.rimage.com/support.

10 How to power off your Allegro 20 system

To ensure that the Allegro 20 system is ready when needed, you may leave it powered on. To power it off, make sure that the **cover** is closed, then press and hold the **power/ink button** for five seconds.