

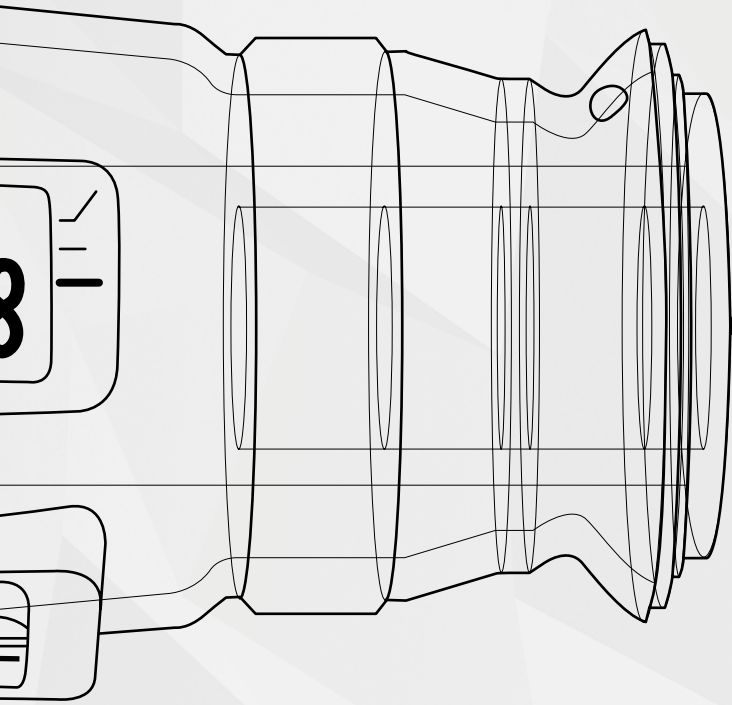
# zortrax M200



TOP CHOICE FOR  
**reliability.**

at your **CONVENIENCE.**

Our 3D printers, software, and materials work in an integrated system. Why? The answer is simple - for the quality of your prints. When you choose Zortrax M200 3D printer, you don't have to worry about the compatibility - just open the box and start printing.



always  
**ACCURATE**

A perfectly matched 3D printer, software and materials guarantee high-quality 3D prints. **The Zortrax M200 carefully reproduces the dimensions of every 3D model** - which means that you can print detailed elements with the certainty that each copy will be identical.

**MATERIALIZE**  
ideas

The intuitive 3D printing software offered by Zortrax, **Z-SUITE**, works with most 3D modeling programs and reads **.stl, .obj, .3mf, and .dxf** file formats.

It only takes a few clicks to convert your project into a real model.

# the **RELIABLE.**

While creating Zortrax M200, we focused on features that we deemed the most important - reliability, efficiency, and precision.

Soon these three aspects became hallmarks of M200. The printer was integrated with the Zortrax Ecosystem to provide its users with high dimensional accuracy, repeatability, and operating ease. Large workspace and a wide selection of materials only strengthen its value as a comprehensive, in-house 3D printer. We didn't have to wait long to see how Zortrax M200 wins hearts of thousands of users. Now, you can see it for yourself.

## **quality** despite quantity

precise and flawless 3D prints,  
always ready on time

## variety of **properties**

produce elements of your project using  
materials with different properties  
- depending on what you need

## dimensional **accuracy**

elements printed separately  
fit together perfectly



---

A fully functional lens prototype printed  
on the Zortrax M200 using Z-ULTRAT  
and Z-GLASS

# pick and choose between **PROPERTIES.**

## Z-ULTRAT<sup>®</sup>

This versatile material allows you to create accurate prototypes with features that are similar to products made with injection molding technology.

### Basic



### Neutrals



### Neons



### Pastels



## Z-HIPS<sup>®</sup>

Using this material you can create large objects that have a regular structure.

Its exceptional matte finish gives models the effect of a flawless, smooth surface.



## Z-ABS<sup>®</sup>

This economical material, which is available in various colors, is suitable for 3D printing conceptual models, gadgets, mockups, or whatever you can imagine.



## Z-GLASS<sup>®</sup>

With this translucent material you can prototype objects that are to be ultimately produced from glass or transparent plastic.



## Z-PCABS<sup>®</sup>

This blend of ABS and polycarbonate (PC) will make your castings and functional prototypes durable and resistant to temperature.



## Z-PETG<sup>®</sup>

This resistant to salts, acids and alkalis material allows you to create mechanical parts that are to be exposed to chemicals. It is also physically durable.





## be a **COMPETITOR.**

Zortrax 3D printing solutions will give your company competitive edge on the market. Stop hesitating and get:

- accelerated and facilitated product development
- significantly lower prototyping costs
- increased production flexibility
- easy product customization

Discover the Zortrax M200 at [www.zortrax.com](http://www.zortrax.com)

## Printing

<b>Technology</b>	LPD
<b>Build volume</b>	200 x 200 x 180 mm 7.87 x 7.87 x 7.08 in 7400 cm <sup>3</sup>
<b>Resolution</b>	90-300 microns
<b>Material container</b>	Spool
<b>Wall thickness</b>	Optimal: 800 microns
<b>Resolution of single printable point</b>	400 microns
<b>Material diameter</b>	1.75 mm (0.069 in)
<b>Nozzle diameter</b>	0.4 mm (0.015 in)
<b>Minimum single positioning</b>	1.5 microns
<b>Positioning precision (X/Y)</b>	1.5 microns
<b>Z-axis single step</b>	1.25 microns
<b>Dimensional Accuracy</b>	+/- 0,2% *
<b>Angle Accuracy</b>	+/- 0.5° **
<b>Additional information</b>	each delivered printer may have worked up to 50 hours during the quality control test prints

## Temperature

<b>Extruder maximum temperature</b>	380°C (716°F)
<b>Heated platform</b>	Yes
<b>Platform maximum temperature</b>	110°C (230°F)
<b>Ambient operation temperature</b>	20°-35°C (68°-95°F)
<b>Storage temperature</b>	0°-35°C (32°-95°F)

## 3D Printer

<b>Support</b>	Mechanically removed – printed from the same material as the model
<b>Extruder</b>	Single
<b>Connectivity</b>	SD card (included)

## Electrical

<b>AC input</b>	110/240V ~ 2 A 50/60 Hz
<b>Power requirements</b>	24 V DC @ 11 A
<b>Power consumption</b>	190 W

## Software

<b>Software bundle</b>	Z-SUITE
<b>File types</b>	.stl, .obj, .dxf, .3mf
<b>Supports</b>	Mac OS X / Windows 7 and newer versions

## Physical Dimensions

<b>Without spool</b>	345 x 360 x 430 mm 13.6 x 14 x 16.9 in
<b>With spool</b>	345 x 430 x 430 mm 13.6 x 17 x 16.9 in
<b>Shipping box</b>	460 x 470 x 570 mm 18.1 x 18.5 x 22.4 in
<b>Shipping weight</b>	25 kg (55 lbs)

\* It should be noted that the model's dimensions strongly depend on the technical condition of the printer as well as the shape, form and size of a print, the material used and the printing process conditions. The accuracy in Z-axis does not include a tolerance of +/- one layer. Bear in mind errors of measurement and measuring equipment.  
\*\* measurements were taken with an angle of 90°.

Presented offer and product details may be changed.

# zortrax

office:

[office@zortrax.com](mailto:office@zortrax.com)

sales department:

[sales@zortrax.com](mailto:sales@zortrax.com)

technical support:

[support@zortrax.com](mailto:support@zortrax.com)

find a local Reseller: [zortrax.com/resellers](http://zortrax.com/resellers)

more info at: [zortrax.com](http://zortrax.com)

©2016 Zortrax S.A. All rights reserved.



Zortrax M200  
Best Plug & Play 3D Printer  
for 2015 and 2016



Zortrax M200  
Best Overall 3D Printer  
2nd Place Award

'Zortrax', 'Zortrax M300', 'Zortrax M200', 'Zortrax Inventure', 'Z-ABS', 'Z-ULTRAT', 'Z-HIPS', 'Z-GLASS', 'Z-PCABS', 'Z-PETG', 'Z-ULTRAT Plus', 'Z-ESD', 'Z-SUITE' are registered trademarks of Zortrax S.A.